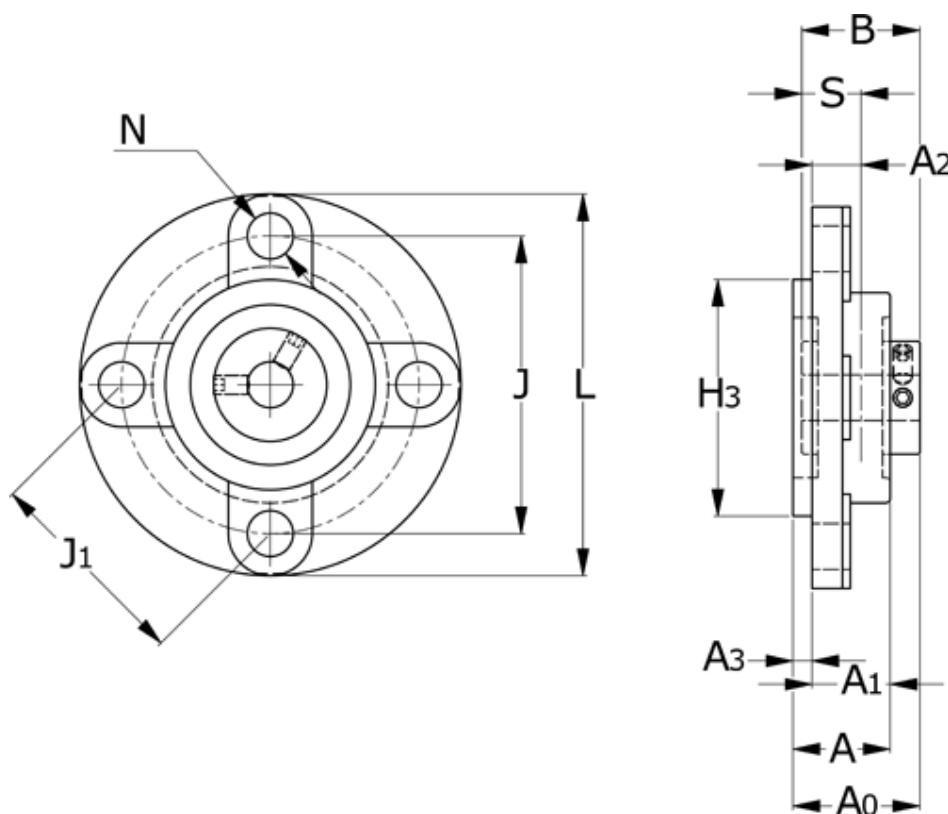


Article number: 5725027214

Description: NSK Cirkular flange unit UCFC214D1

## Measures



A = 54	J1 = 125.1
A0 = 75.4	L = 215
A1 = 40	N = 19
A2 = 17	S = 30.2
A3 = 14	Shaft = 70
B = 74.6	
H3 = 150	
J = 177	